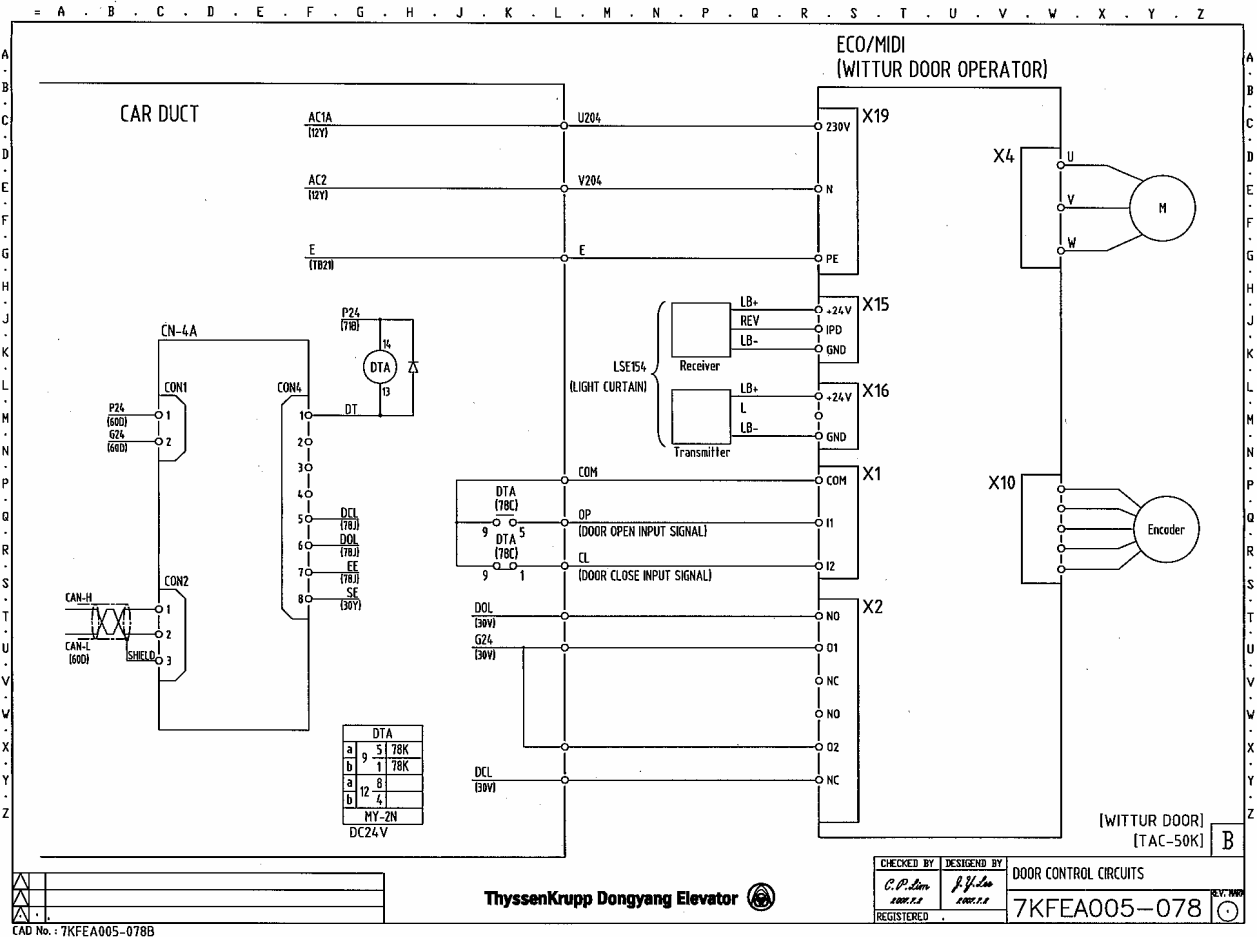




# Supra Wittur Door Operator Manual

## 1. Wiring Wittur Door Operator as follow.



## 2. When you input command "DCN" in Remote Fast, On column of SvpCtrl must display "1" as follow.

Name	On	RxTot	ID	Ch	SP	TP	-IMS	Port	Ma
CNports-00 01 02 03									
MainCp	1	000	00	2	00	12	-11	12	13 14
SvpCtrl	0	000	01	2	00	02	-23	24	99 99
	0	000	02	0	00	00	-99	99	99 99
	0	000	03	0	00	00	-99	99	99 99
	0	000	04	0	00	00	-99	99	99 99
	0	000	05	0	00	00	-99	99	99 99
	0	000	06	0	00	00	-99	99	99 99
	0	000	07	0	00	00	-99	99	99 99
	0	000	08	0	00	00	-99	99	99 99
	0	000	09	0	00	00	-99	99	99 99
	0	000	10	0	00	00	-99	99	99 99
	0	000	11	0	00	00	-99	99	99 99



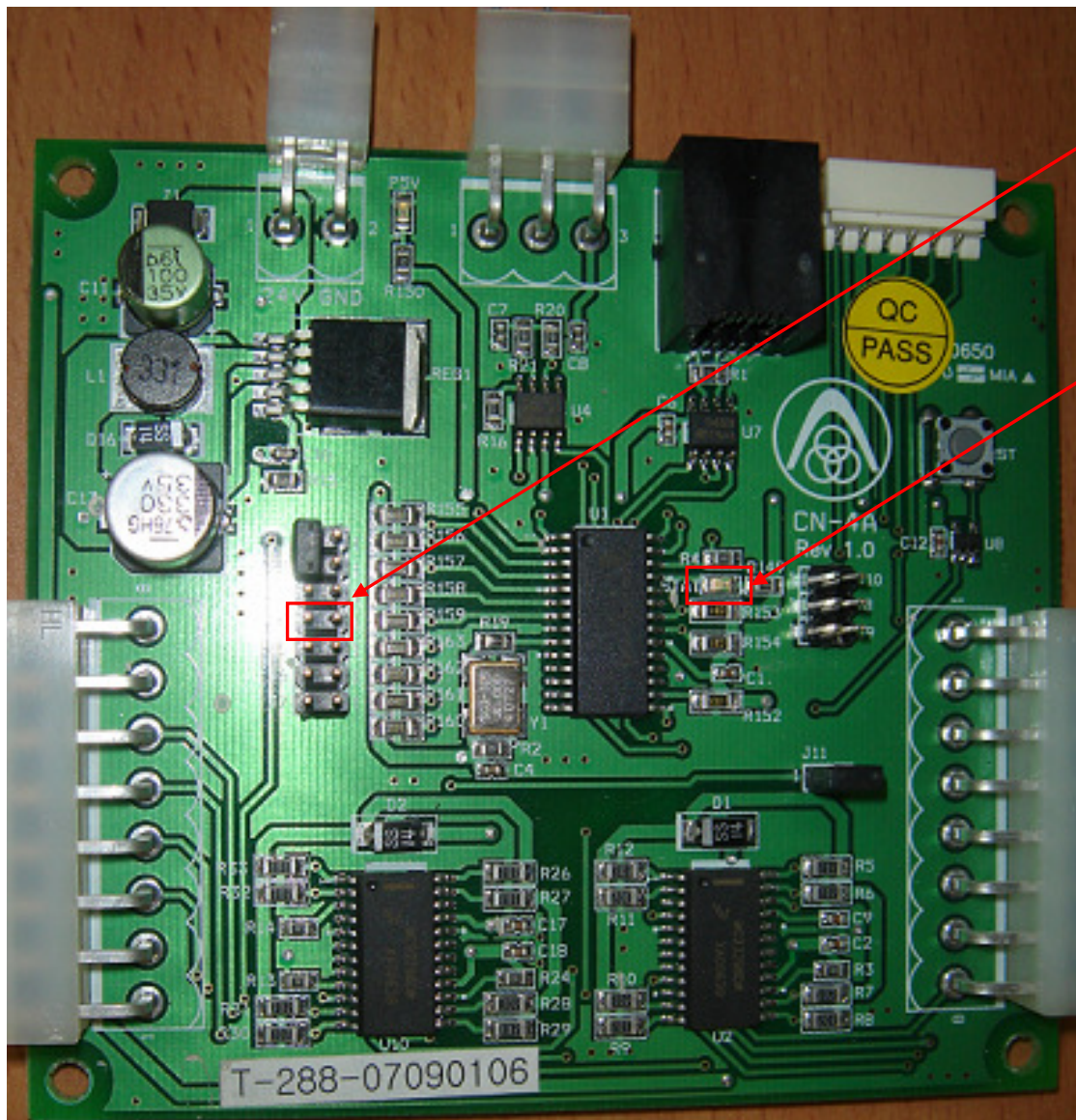
3. Interchange DOL and DCL symbol of 23 column as follow.

Input/Output (G1C1): E20070174_04, Group01. Car01																								
	1	2	3	4	5	6	7	8	9	10	11	12	13	14	15	16	17	18	19	20	21	22	23	24
1	INCN	DZ1	CDCF	SAFE	BRKE	CDCFM	DZ1M	XRGC1	D2S	XCB	SOA1	INCTM	ISC	DOB	CI1	CO1	CI9	CO9	CI17	CO17	CI25	CO25	DT	
2	INCNM	DZ2	XCDRC	SAF2	BRKD	XCDRC	DZ2M			ARDFD	SOA2	INCTD	ATT	DCB	CI2	CO2	CI10	CO10	CI18	CO18	CI26	CO26	DC	
3	INCNU	XEOBP	HDIF	SAF3	XBSLE	HDIFM	DZE	FSM		FSI	DAD	INCTU	ATB	BKLT	CI3	CO3	CI11	CO11	CI19	CO19	CI27	CO27	DO	
4	INCND	XHDIR	SAF4	XBSLM	XHDIR	SEIS	NTSR			ARDSP	DAU	INCT	ATDB	EMGCY	CI4	CO4	CI12	CO12	CI20	CO20	CI28	CO28	DCN	
5	BRKCD	LVU	CST	ARDPI	MCC	FDIM	EPNP	FAN		SDB	FALI	FALI	XLWO	ATUB	CSTOM	CI5	CO5	CI13	CO13	CI21	CO21	CI29	CO29	DOL
6	MCCD	LVD	DLB	XFSCD	MCD	TCH1	EPW	SAFC		SDT	MOV	CDL	XLWB	LBYST	CLFS	CI6	CO6	CI14	CO14	CI22	CO22	CI30	CO30	DCL
7	SAFCD		DLT	XFSCD	MCE	TCH2	XRGOK	BRKC		BSVAN	PUP	CUL	XLWA	FSC1	CSTO	CI7	CO7	CI15	CO15	CI23	CO23	CI31	CO31	XEE
8	INRB		XEOBP	SPIOK	MCPD	SPIOK	XRGM1	INRBM		TSVAN	DOB	BUZ	HIO1	XFSC2	FSZ1	CI8	CO8	CI16	CO16	CI24	CO24	CI32	CO32	XSE

23 column – 5 row ; Change the symbol DOL to DCL.

23 column – 6 row ; Change the symbol DCL to DOL.

4. Jumper CN-4A board No. 4 only and flickering interval of LED is each 2 second.



Jumper

Flickering interval of LED is each 2 second.



5. Setting dip switch No. 1 ~ 6 of Supra Wittur Door Operator as follow.  
Turn on dip switch No. 6 only.

6. Input command "ASI=DCL" "D12=2" in Remote Fast and "WRT" to saving data.

7. Wiring check ; Check communication cable CCH, CCL and SHCC between CWIK and CN-4A Door controller through Junction box.

